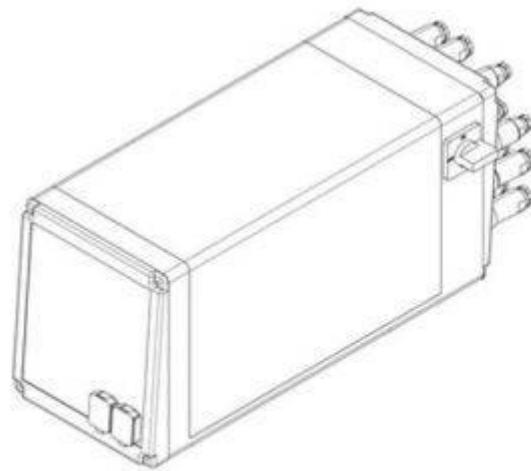


ENE 20  
HPP-25



## Data sheet ENE-20-HPP

Orbital Riveting Unit

Rivet shank Ø: up to 13 mm | Force: up to 20.00 kN | Stroke: up to 40 mm

## Key features | Content of delivery

### Forming process: Orbital

#### Standard Version

- Nominal force 20 kN @ 6 bar (max. operating pressure)
- Rivet shaft up to Ø 13 mm (Steel 370 N/mm<sup>2</sup>)
- Spindle stroke 5 - 40 mm with 0.01mm micrometer scale and mechanical stroke limit
- Machine weight: approx. 122 kg
- Electro-pneumatic drive – power supply @x@V, @Hz
- Permanently lubricated spindle
- head angle 5° for tool length L<sub>s</sub>= 84 mm, free height 28 mm
- or
- head angle 3° for tool length L<sub>s</sub>= 116 mm, free height 60 mm (specify when ordering)
- Color: light grey RAL 7035

#### Including

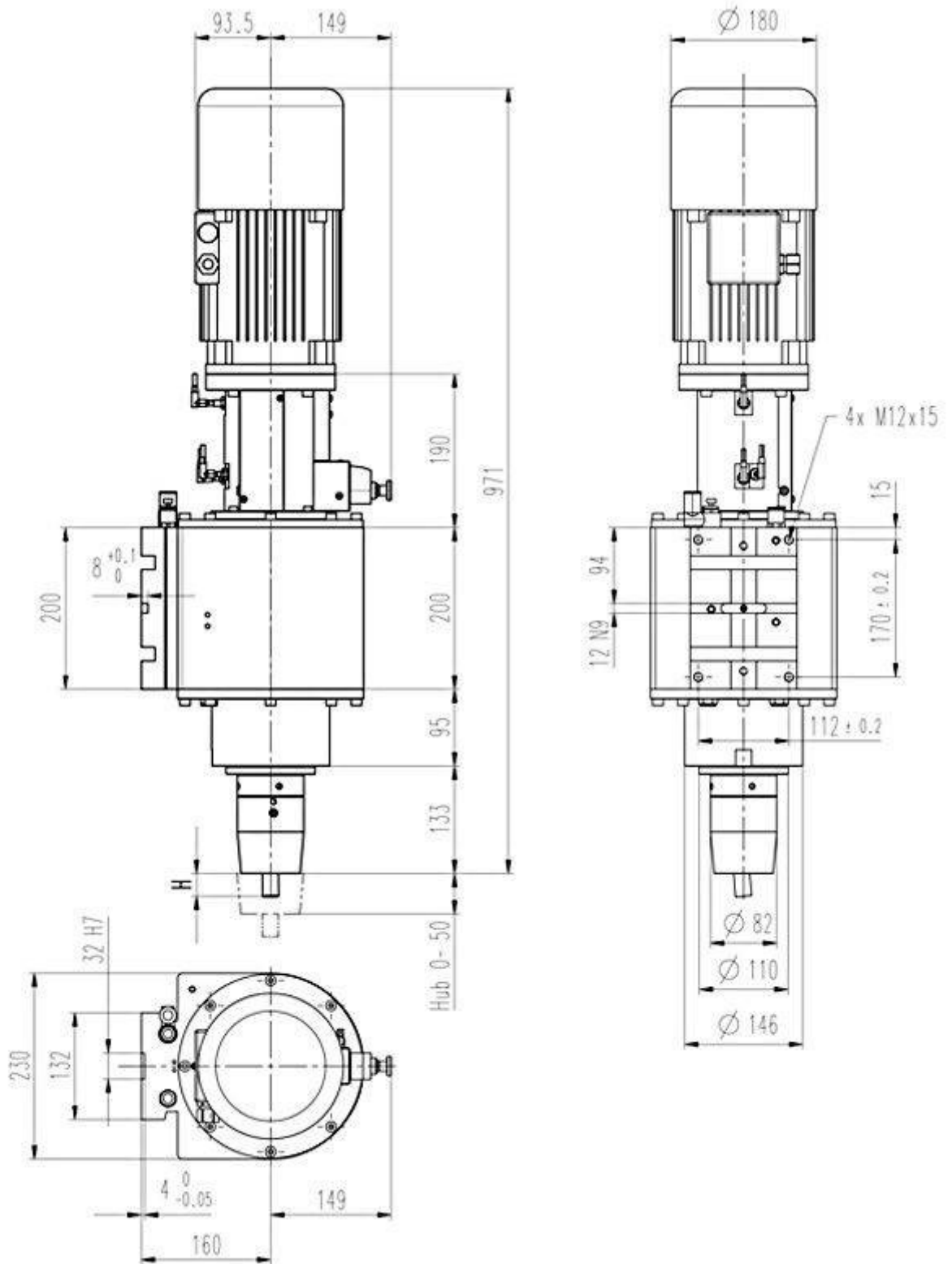
- HPP-010-281, Process-Control HPP-25, connections X1, X2, X3, X20, X21
- Incl. SEI-100-281, Distance sensor, Type HPP-25
- Incl. SEI-200-281, Pressure sensors, Type HPP-25
- HPP-X4-02, Connection X4, for emergency-stop, w/out two-hand relay
- HPP-X6-01, Connection X6, external safety / reset
- HPP-X9-01, Connection X9, PLC interface with cable, 5m
- HPP-045-03, Sensor cable extension 3 m, total length 4 m
- FN-042, Sensor upper spindle position (TDC)
- PNP-HPP-281, Pneumatic service unit and pneumatic control package for HPP
- Standard accessories and user manual in the language of destination

#### Options

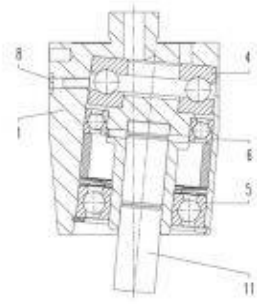
- HPP-X5-01, Connection X5 PVM Module (for control of PNP-PRV-020)
- PNP-PRV-020, Proportional-pressure control, integrated & ready for operation (requires HPP-X5-01)
- HPP-DLL-S7L-x, HPP-25 – Siemens S7 Communication link (S7LINK).  
License code to be ordered for each HPP control
- HPP-DLL-PCT, PC-Analysis Software HPP-PCTool, incl. UDP Protocol (on USB Stick)

Subject to change.

Drawing



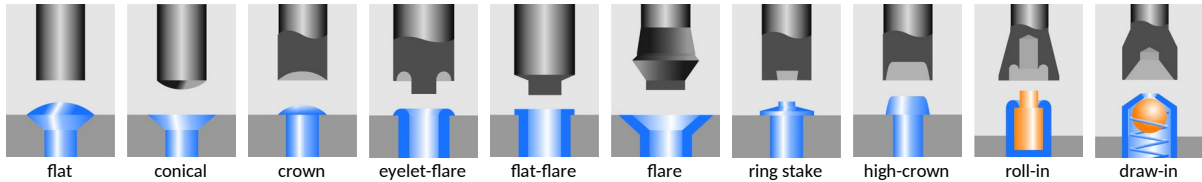
## Forming tool lengths



Radius mm Rp	Tool length mm Ls	Free height mm H	Shank Ø mm Ds	Angle of inclination α
84.00	28.00		10	5°
116.00	6.00		10	3°



Our engineers are routinely meeting the demands of complex design problems. Having the specific tools needed for your metal forming project can mean the difference between success and failure. Contact us with your unique application for custom tooling.



## Industries & Applications



**BalTec AG**  
Switzerland / Germany

BalTec (UK) Ltd.  
United Kingdom

BalTec France  
France

BalTec Corporation  
USA / Canada / Mexico

BalTec do Brasil  
Brazil

BalTec Machinery (Shanghai) Ltd.  
China

BalTec Italia Srl  
Italia

# BalTec